



# DL16SE • DL32SE

DIGITAL RACK MIXERS

## SPEC SHEET



## WELCOME

---

### Introduction

The Mackie DLI6SE and DL32SE digital mixers deliver 16 [DLI6SE] / 32 [DL32SE] channels of proven DL series mixing in a stage-friendly, rack-mountable design.

Connect to your wireless router and command your mix with the Master Fader SE app.

Loaded with extensive DSP processing, the DLI6SE and DL32SE give you the mixing power to sound great every night.

Create stunning multitrack recordings via the 16x16 [DLI6SE] / 32x32 [DL32SE] USB audio interface and play them back for an effortless virtual sound check.

The Master Fader SE app allows intuitive control on up to 20 devices simultaneously, including the ability to digitally recall each and every setting for incredibly fast setup.

If you have any questions or comments about this Spec Sheet (or other Mackie documentation), please don't hesitate to contact us:

- 1-800-898-3211 (Monday through Friday, normal business hours, Pacific Time)
- [www.mackie.com/support-contact](http://www.mackie.com/support-contact)

### Features

#### MAIN FEATURES

- Convenient stagebox/rack design with built-in handle
- 16 input channels with Onyx+ preamps (8 XLR, 8 XLR/TRS combo with 2 Hi-Z) [DLI6SE]
- 32 input channels with Onyx+ preamps (16 XLR, 16 XLR/TRS combo with 2 Hi-Z) [DL32SE]
- 8 fully assignable XLR outputs plus headphone output [DLI6SE]
- 10 fully assignable XLR outputs plus headphone output [DL32SE]
- Connect to your wireless router and control with Master Fader SE app
- Per-channel EQ, filters, gate, compression and RTA/Spectrograph
- 4 stereo FX busses with studio-quality reverbs, delays, chorus and more
- Multitrack 16x16 USB audio interface for recording and playback [DLI6SE]
- Multitrack 32x32 USB audio interface for recording and playback [DL32SE]
- Waveform OEM professional software and plugins included

#### WIRELESS MIXING

- Take complete control via iOS, Android, macOS or Windows devices
- No set FOH position — mix from anywhere
- Control from up to 20 separate devices at once
- Access Limiting allows performers to control their own monitor mixes without giving access to critical mixer functionality
- Universal Ethernet connection supports your wireless router of choice

### POWERFUL PROCESSING & ROUTING

- 16 preamps with 4-band PEQ + HPF, gate, compression and RTA/Spectrograph [DL16SE]
- 32 preamps with 4-band PEQ + HPF, gate, compression and RTA/Spectrograph [DL32SE]
- 16 stereo-linkable input channels plus stereo return channel [DL16SE]
- 32 stereo-linkable input channels plus stereo return channel [DL32SE]
- 8 output busses with 4-band PEQ + HPF/LPF, 31-band GEQ, comp/limiter, alignment delay and RTA/Spectrograph [DL16SE]
- 10 output busses with 4-band PEQ + HPF/LPF, 31-band GEQ, comp/limiter, alignment delay and RTA/Spectrograph [DL32SE]
- 6 stereo-linkable aux sends [DL16SE]
- 8 stereo-linkable aux sends [DL32SE]
- 6 stereo-linkable subgroups
- Main L/R bus
- 6 VCAs and 6 mute groups
- 4 stereo FX processors featuring studio-quality reverbs, delays, choruses, flangers and many more with dedicated sends and returns
- Full I/O routing with A/B sources per channel
- Assignable oscillator including pink/white noise and sine waves
- Modern and Vintage options for comp/gate and EQ

### MULTITRACK RECORDING & PLAYBACK

- 16x16 USB 2.0 audio interface for Mac or PC [DL16SE]
- 32x32 USB 2.0 audio interface for Mac or PC [DL32SE]
- Record the show for later mixdown
- Perform a virtual sound check
- Play intermission music, backing tracks and more directly into a dedicated stereo return channel
- Flexible, low-cost studio recording solution
- Utilize Mac or PC audio plug-ins in a live environment

### MASTER FADER SE CONTROL APP

- Intuitive and easy to master
- Fast navigation with view groups and overview
- Quick setup with tons of factory and user-definable presets
- Access Limiting allows flexible customization of the user interface and prevents unwanted adjustments from other users
- Quickly access channel processing, signal routing and a massive suite of great sounding effects with presets to get you started
- Export presets, shows and complete system backups via Dropbox, email and more
- Set up the show before you arrive at the venue with offline show creation
- Available on iOS, Android, macOS and Windows

### RECORD & PRODUCE LIKE A PRO

- Waveform™ OEM professional software and plugin packages included
- The DAW Essentials™ Bundle for Waveform OEM includes 16 powerful plugins like Equalizer, Compressor, Reverber8 and Limiter

## TECHNICAL INFORMATION

### Specifications

#### General Digital

Sample Rate: .....	48 kHz
A/D/A Bit Depth: .....	24-bit
System Latency	
Analog Input > Main Bus > Analog Output: .....	1.5 ms
0 dBFS Reference:.....	+22 dBu

#### Frequency Response

XLR inputs and outputs:.....	±0, -1 dB, 20 Hz to 20 kHz
1/4" inputs: .....	±0, -3 dB, 20 Hz to 20 kHz

#### Distortion

THD+N, XLR mic input to XLR output, unity gain (1 kHz, +21 dBu signal; 30 kHz bandwidth):.....	<0.005%
--	---------

#### Noise / Dynamic Range / Signal-to-Noise Ratio

EIN (150 Ω termination):.....	-127 dBu, A-Weighted
Crosstalk	
Analog XLR adjacent inputs: .....	<-105 dB @ 1 kHz (unity gain) <-65 dB @ 1 kHz (max gain)
Analog XLR adjacent outputs: .....	<-95 dB @ 1 kHz
Signal-to-Noise Ratio (ref +4 dBu, 1 kHz. Mic Input > Main Bus > XLR Output, unity gain):.....	>92 dB, un-weighted
Output Noise, XLR output (DSP muted):.....	<-90 dBu RMS
Dynamic Range	
Mic Input > Main Bus > XLR Output, unity gain: .....	>110 dB, A-Weighted
XLR Mic Input to USB Output:.....	>113 dB, A-Weighted
XLR Output from DSP (Oscillator): .....	>113 dB, A-Weighted
CMRR – XLR Mic Input (ref +20 dBu, +45 dB Gain):.....	>75 dB @ 1 kHz

**SPECIFICATIONS CONTINUED**

**Analog Inputs**

Connectors:.....1-8: XLR Balanced, 9-16: Combo XLR / TRS Bal-Unbal  
(plus Hi-Z via unbalanced instrument cable on inputs 15-16) [DLI6SE]  
1-16: XLR Balanced, 17-32: Combo XLR / TRS Bal-Unbal  
(plus Hi-Z via unbalanced instrument cable on inputs 31-32) [DL32SE]

XLR Mic Pre:.....Onyx+

Input Impedance:

DLI6SE: ..... XLR, channels 1-16: 3 k $\Omega$ , balanced  
1/4" Line, channels 9-14: 30 k $\Omega$ , balanced  
1/4" Hi-Z, channels 15-16: 1 M $\Omega$ , unbalanced  
DL32SE: ..... XLR, channels 1-32: 3 k $\Omega$ , balanced  
1/4" TRS Line, channels 15-30: 30 k $\Omega$ , balanced  
1/4" TS Hi-Z, channels 31-32: 1 M $\Omega$ , unbalanced

Max Input Level: ..... XLR: +22 dBu  
1/4": +30 dBu

48V Phantom Power (XLR): ..... 48 VDC nominal voltage, unloaded  
14 mA maximum current supplied to any single input  
5mA minimum current supplied to all inputs simultaneously  
Digital on/off control for each individual input

**Analog Outputs**

Connectors:..... XLR Balanced  
Output Impedance:..... 300  $\Omega$   
Max Output Level: .....+22 dBu

**Analog Headphone Out**

Connector:.....1/4" TRS Stereo  
Max Output Level: ..... +20 dBu into 600  $\Omega$ , each channel  
+22 dBu max into 100 k $\Omega$ , each channel



**SPECIFICATIONS CONTINUED**

---

**DSP**

---

**DLI6SE**

16 input channels with 4-band PEQ + HPF, gate, compression and RTA/Spectrograph

16 stereo-linkable input channels

13 output busses with 4-band PEQ + HPF/LPF, 31-band GEQ, comp/limiter, alignment delay and RTA/Spectrograph

6 stereo-linkable aux sends

6 stereo-linkable subgroups

Main L/R bus

6 VCAs and 6 mute groups

4 stereo FX processors featuring great built-in FX like reverbs, delays, choruses, flangers,  
and many more with dedicated sends and returns

Full I/O routing with A/B sources per channel

Assignable oscillator including pink/white noise and sine waves

Modern and Vintage options for comp/gate and EQ

**DL32SE**

32 input channels with 4-band PEQ + HPF, gate, compression and RTA/Spectrograph

32 stereo-linkable input channels

15 output busses with 4-band PEQ + HPF/LPF, 31-band GEQ, comp/limiter, alignment delay and RTA/Spectrograph

8 stereo-linkable aux sends

6 stereo-linkable subgroups

Main L/R bus

6 VCAs and 6 mute groups

4 stereo FX processors featuring great built-in FX like reverbs, delays, choruses, flangers,  
and many more with dedicated sends and returns

Full I/O routing with A/B sources per channel

Assignable oscillator including pink/white noise and sine waves

Modern and Vintage options for comp/gate and EQ

**SPECIFICATIONS CONTINUED**

**Power**

Power Requirements: ..... 100 VAC – 240 VAC, 50 – 60 Hz, Universal Supply  
Line Cord: ..... User-replaceable IEC  
Power Consumption: ..... 40 W [DL16SE]  
60 W [DL32SE]  
Operating Temperature [extended ambient temperature]: ..... 32 – 104 °F / 0 – 40 °C

**Options**

DL16S Digital Mixer Bag: ..... 2036809-46  
DL32S Digital Mixer Bag: ..... 2036809-47

**Physical Properties (Product)**

**DL16SE**

Height: ..... 5.6 in / 142 mm  
Width: ..... 14.1 in / 358 mm  
Depth: ..... 5.8 in / 147 mm  
Weight: ..... 6.2 lb / 2.8 kg  
Rack: ..... 3U Rack Spaces

**DL32SE**

Height: ..... 7.3 in / 185 mm  
Width: ..... 16.3 in / 414 mm  
Depth: ..... 5.8 in / 147 mm  
Weight: ..... 8.8 lb / 4.0 kg  
Rack: ..... 4U Rack Spaces



**SPECIFICATIONS CONTINUED**

**Physical Properties (Packaged Product)**

**DLI6SE**

Height: .....	9.8 in / 249 mm
Width:.....	17.0 in / 432 mm
Depth: .....	9.5 in / 241 mm
Weight:.....	10.2 lb / 4.6 kg
Rack:.....	3U Rack Spaces

**DL32SE**

Height: .....	9.8 in / 249 mm
Width:.....	20.5 in / 521 mm
Depth: .....	11.3 in / 287 mm
Weight:.....	13.8 lb / 6.3 kg
Rack:.....	4U Rack Spaces

**Ordering Information**

**DLI6SE –16-CHANNEL DIGITAL RACK MIXER**

US .....	2056890-00 (US)
EU .....	2056890-01 (EU)
JP .....	2056890-02 (JP)
UK .....	2056890-03 (UK)
AU .....	2056890-04 (AU)
CN .....	2056890-05 (CN)
BZ ~120V .....	2056890-06 (BZ ~120V)
AR .....	2056890-07 (AR)
KR .....	2056890-08 (KR)

**DL32SE –32-CHANNEL DIGITAL RACK MIXER**

US .....	2056891-00 (US)
EU .....	2056891-01 (EU)
JP .....	2056891-02 (JP)
UK .....	2056891-03 (UK)
AU .....	2056891-04 (AU)
CN .....	2056891-05 (CN)
BZ ~120V .....	2056891-06 (BZ ~120V)
AR .....	2056891-07 (AR)
KR .....	2056891-08 (KR)

**About**

---

Part Number, Rev and Date: ..... SW1479, Rev A, October 2024

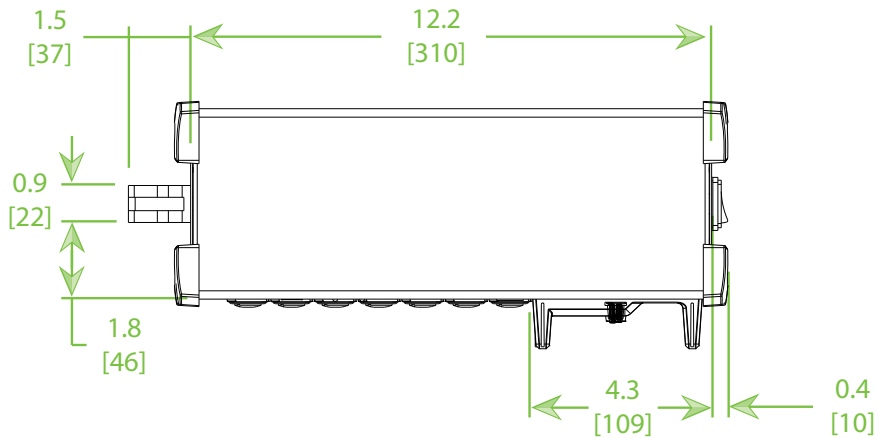
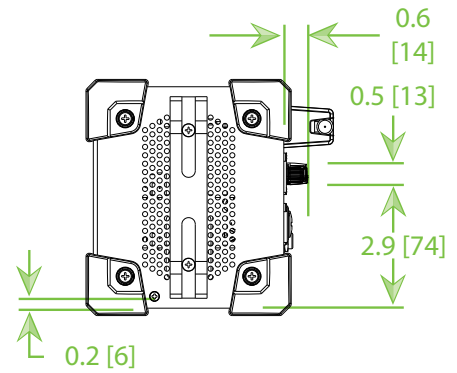
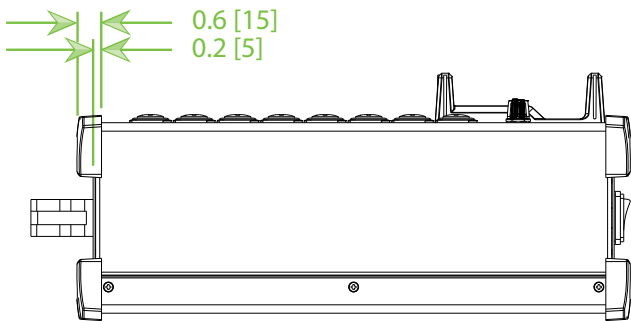
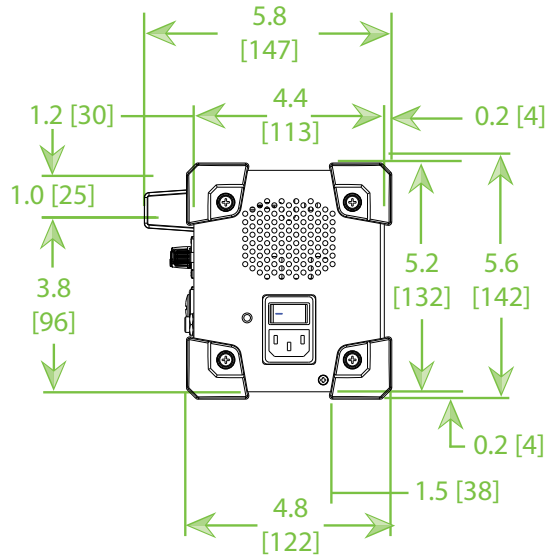
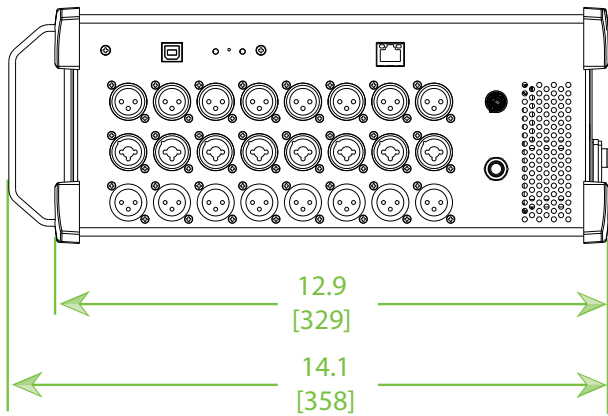
©2024 LOUD Audio, LLC. All rights reserved. Apple, iPad and iPhone are trademarks of Apple Inc., registered in the U.S. and other countries. All other marks are Registered Trademarks, or Trademarks, of LOUD Audio, LLC. in the United States and other countries. DL16SE and DL32SE Patent Pending.

"Made for iPad" means that an electronic accessory has been designed to connect specifically to iPad and has been certified by the developer to meet Apple performance standards. Apple is not responsible for the operation of this device or its compliance with safety and regulatory standards. Please note that the use of this accessory with iPad may affect wireless performance.

LOUD Audio, LLC. is always striving to improve our products by incorporating new and improved materials, components, and manufacturing methods. Therefore, we reserve the right to change these specifications at any time without notice.

Please check our website for any updates to this Reference Guide: [www.mackie.com](http://www.mackie.com).

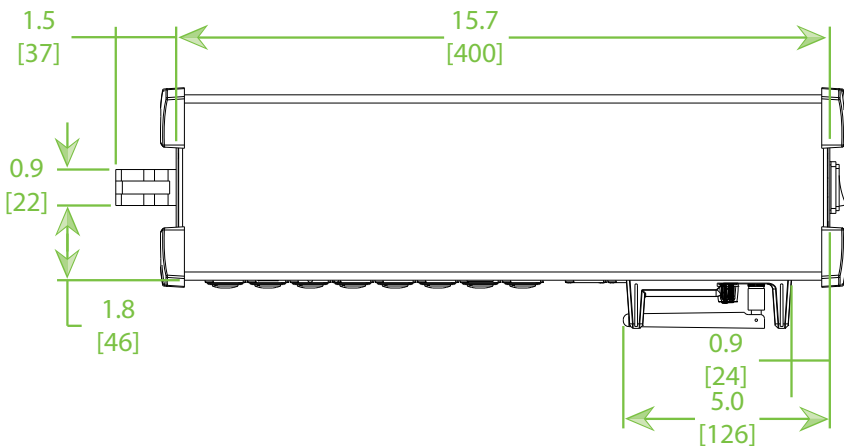
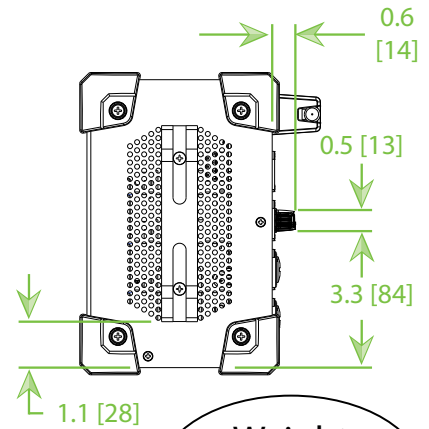
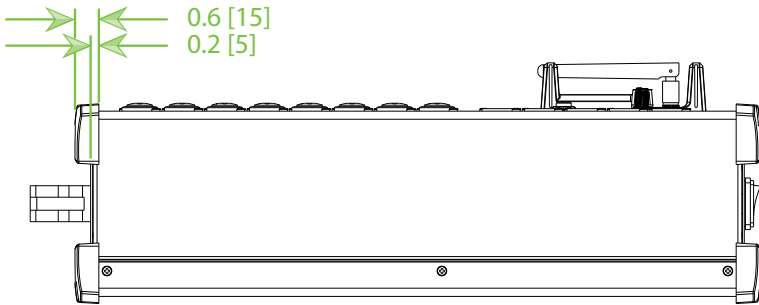
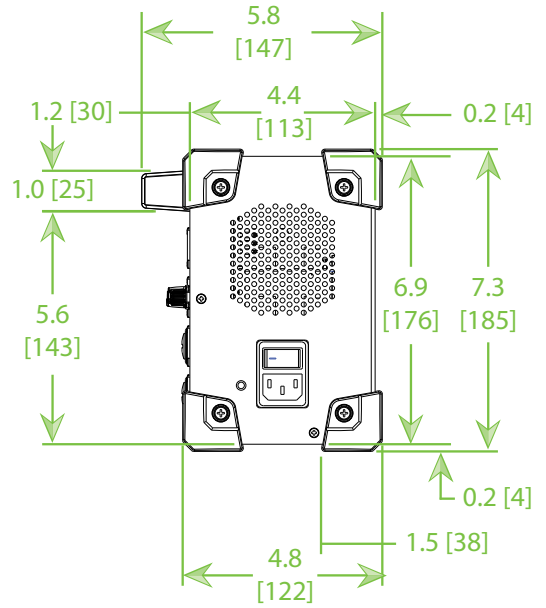
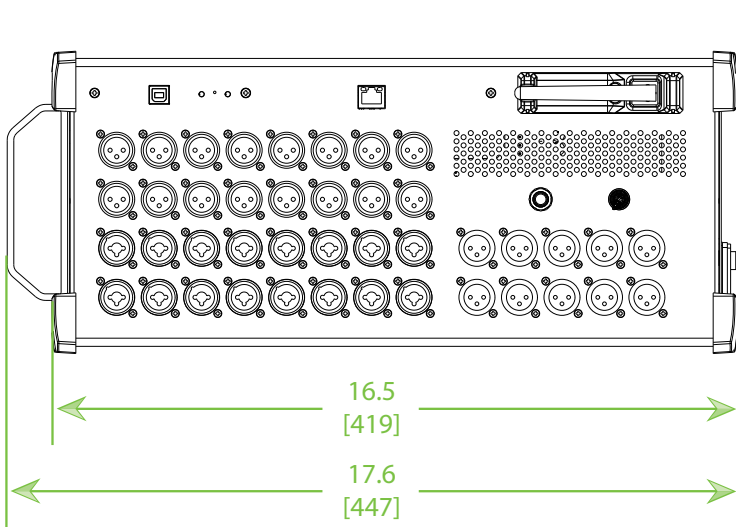
## DL16SE DIMENSIONS



Weight  
6.2 lb / 2.8 kg



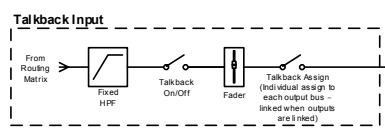
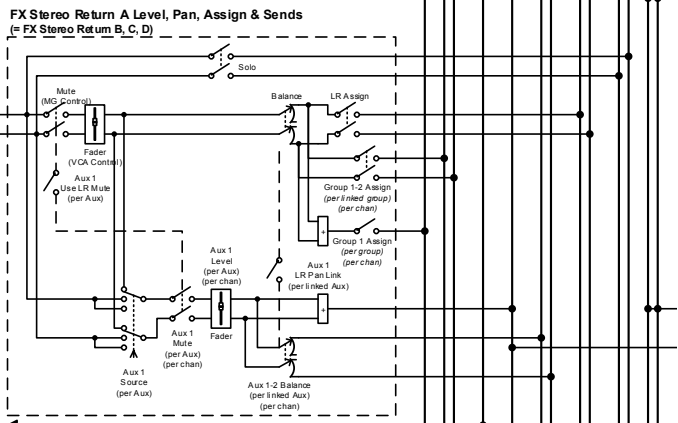
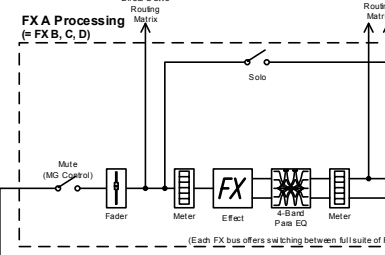
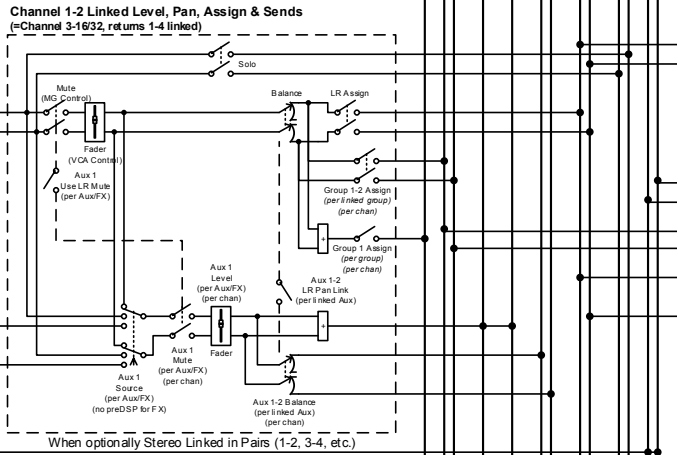
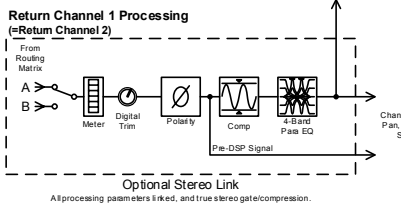
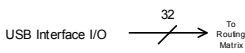
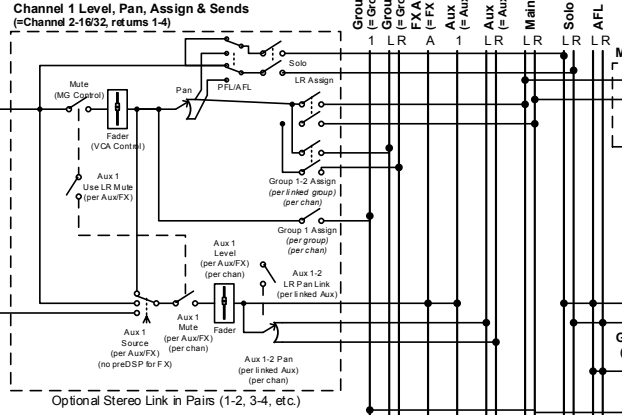
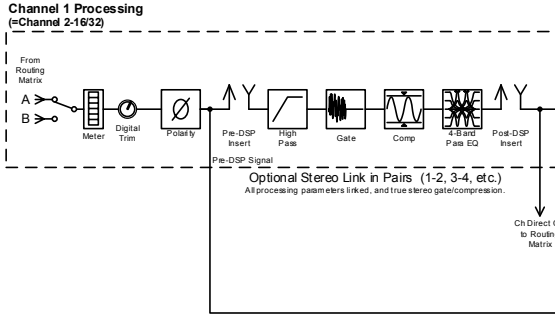
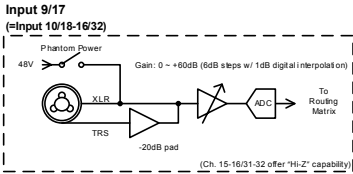
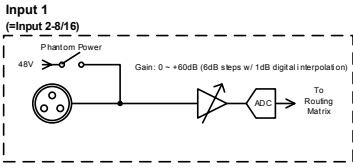
## DL32SE DIMENSIONS



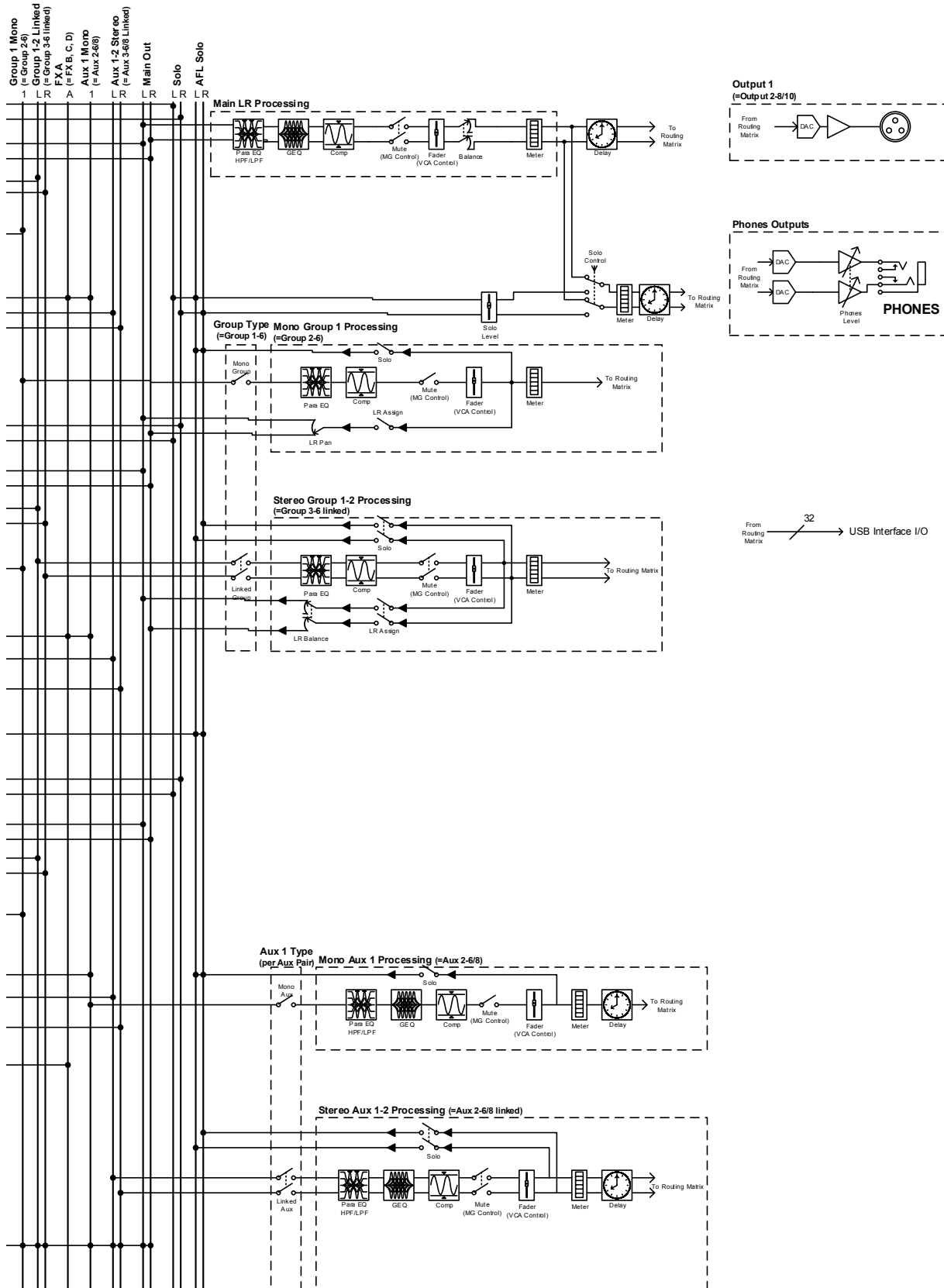
Weight  
8.8 lb / 4.0 kg



# DL16SE AND DL32SE BLOCK DIAGRAM



# DL16SE AND DL32SE BLOCK DIAGRAM



DL16SE AND DL32SE FRONT PANELS





**19820 North Creek Parkway #201, Bothell, WA 98011 • USA**  
**Phone: 425.487.4333 • Toll-free: 800.898.3211**  
**Fax: 425.487.4337 • [www.mackie.com](http://www.mackie.com)**

